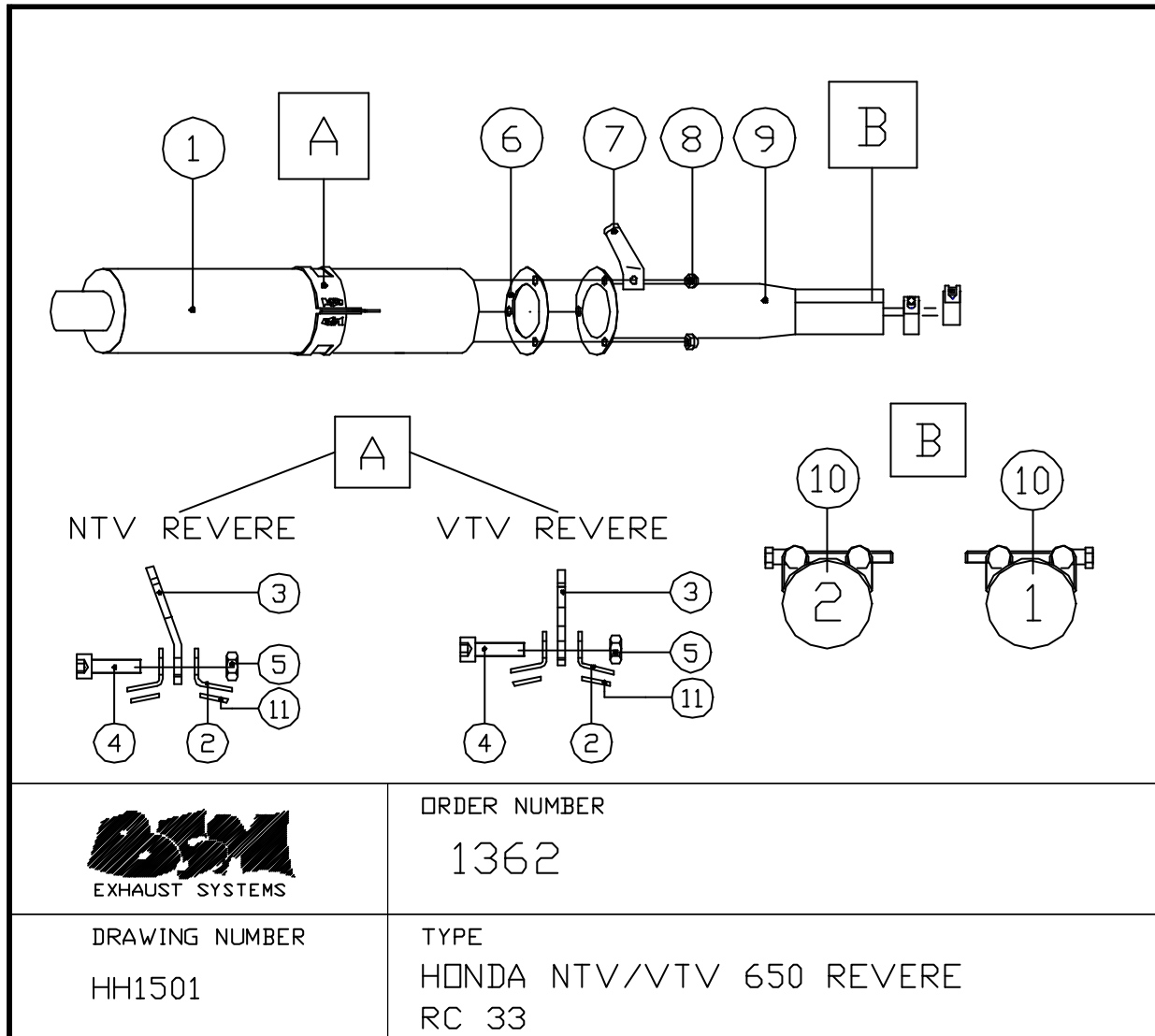




HONDA NTV 650 Revere

Part. Nr
1362



11	1	Rubber (for vampire silencer only)		KLR.00.0001
10	2	Clamb	40-43 mm	SLA.R1.4043
9	1	Collectorpipe		6/BC11006
8	3	Nut, cap. stainless	M8	MDR.RM.0008
7	1	Centrestand bracket		G.06
6	1	Gasket	93*60*2	PAK.FD.MEDI
5	2	Nut, self-locking, stainless	M6	MOE.RM.Z006
4	2	Bolt, allen head, stainless	M6*16	BOB.RM.0616
3	1	Mountingbracket		E.10 / E.11
2	1	Mountingstrap		E.77
1	1	Muffler		
Pos.	Qty.	Discription	Dimension	Part nr.

